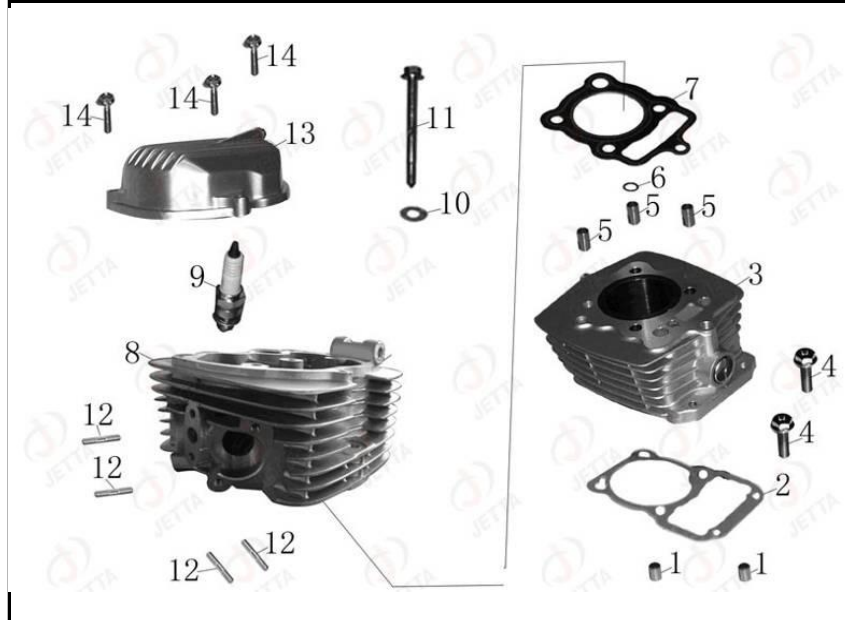




Двигатель CG-125, 150

A1 气缸盖组合

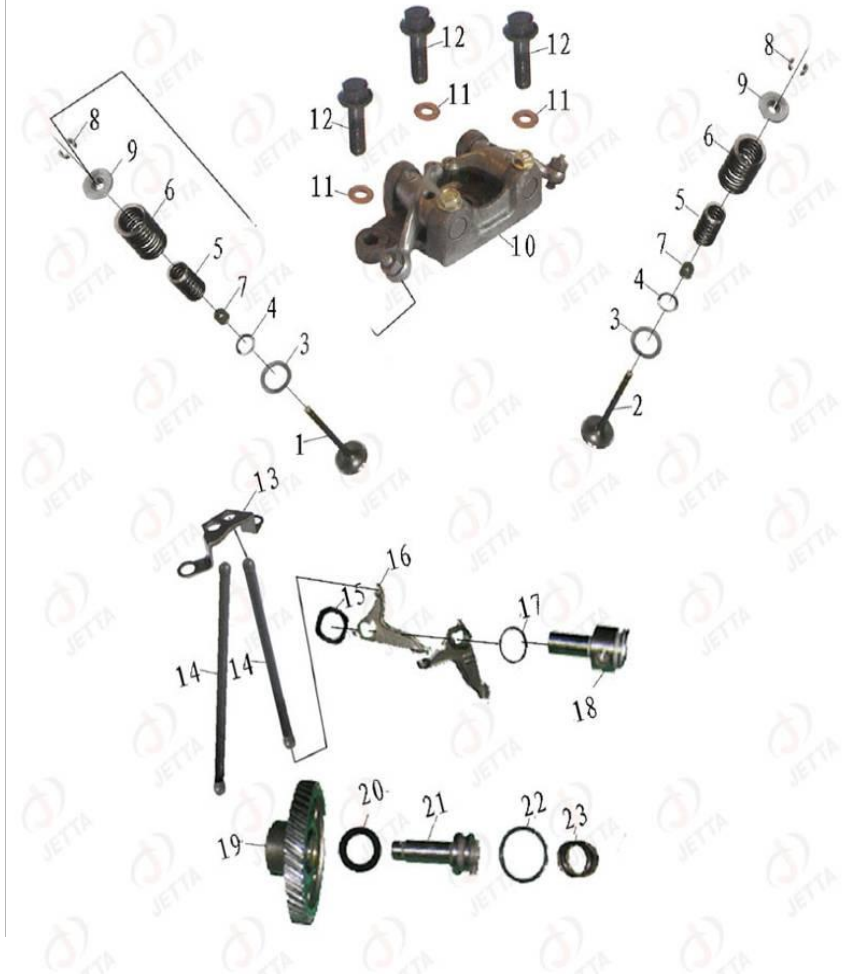
FIG. A1Cylinder Block Set



PART NO.	英文名称 (ENGLISH NAME)	Q'TY
A1-1	Dowel pin ϕ 10 \times 14	2
A1-2	Gasket, Cylin Block	1
A1-3a	Cylinder Block Assy, small leaf model	1
A1-3b	Cylinder Block Assy, big leaf model	1
A1-4	Bolt M6 \times 28	2
A1-5	Dowel pin ϕ 8 \times 14	3
A1-6	O-ring ϕ 10 \times 1.5	1
A1-7	Gasket, Cylinder Head Cover	1
A1-8A	Cylinder Head Comp	1
A1-8B	Cylinder Head Comp (with SAS valve)	1
A1-9	Spark Plug D8EA	1
A1-10	Washer 8.5 \times 2.2 \times 12	1
A1-11	Bolt M8 \times 82	1
A1-12	Bolt M6 \times 22	4
A1-13	Cover, Cylinder Head	1
A1-14	Bolt M6 \times 28	3

A2 配气机构组合

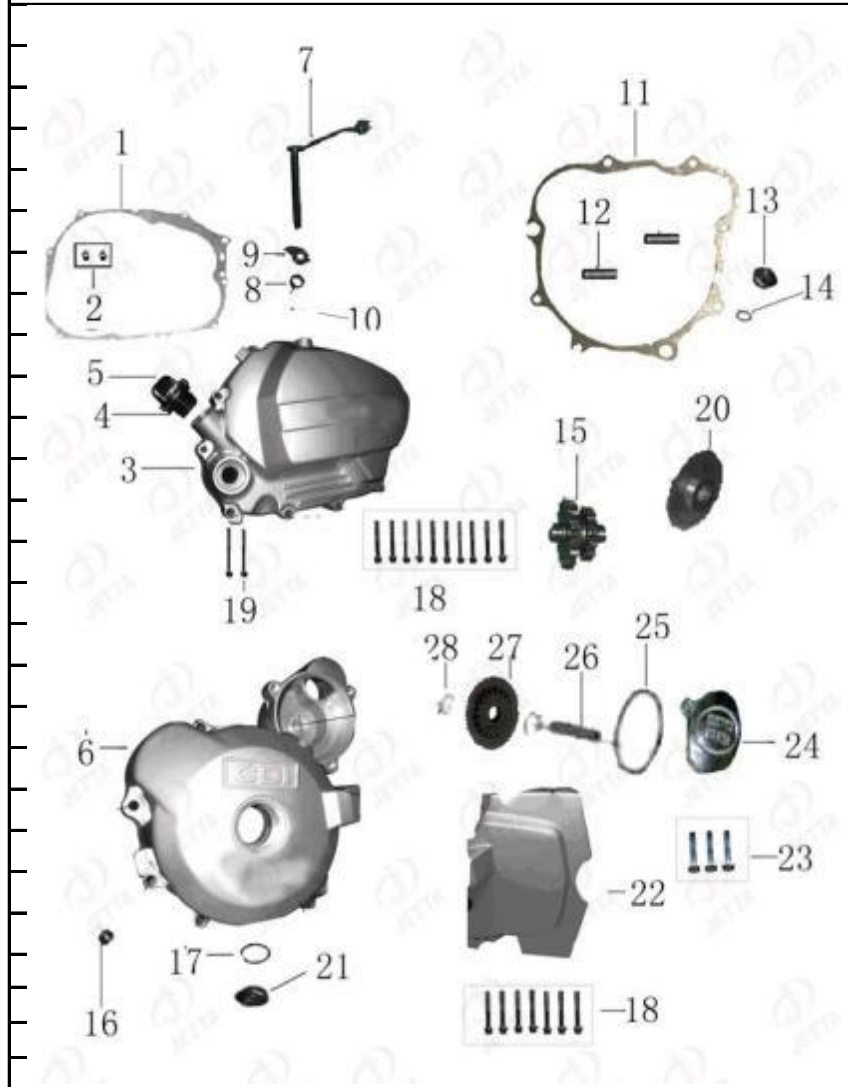
FIG. A2 Camshaft & Valves




PART NO.	英文名称 (ENGLISH NAME)	Q'TY
A2-1	Valve, intake	1
A2-2	Valve , exhaust	1
A2-3	Valve outer spring seat	2
A2-4	Valve inner spring seat	2
A2-5	Spring, vavle outer	2
A2-6	Spring, vavle inner	2
A2-7	Cap, control oil	2
A2-8	Valve lock nip	4
A2-9	Valve spring seat	2
A2-10	Rocker Arm Assy.	1
A2-11	Washer $\phi 8 \times \phi 18 \times 2$	3
A2-12	Bolt M8 $\times 28$	3
A2-13	Pushrod guide bracket	1
A2-14	Pushrod assy	2
A2-15	Washer $12.3 \times 0.2 \times 20.9$	1
A2-16	Lower Rocker Arm	2
A2-17	O-ring $\phi 18 \times 2.5$	1
A2-18	Lower rocker arm shaft	1
A2-19	Timing driven gear assy	1
A2-20	washer $\phi 14 \times \phi 24 \times 1$	1
A2-21	Matching air camshaft	1
A2-22	O-ring $\phi 20 \times 2.5$	1
A2-23	spring	1

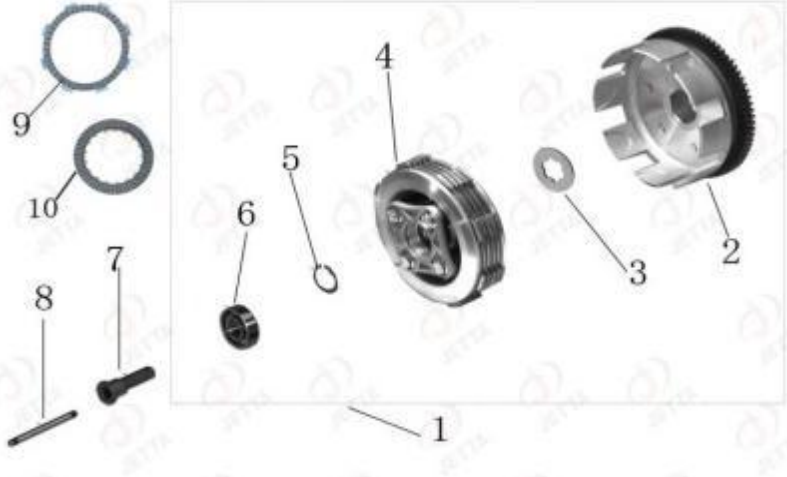
A3 曲轴箱盖

FIG. A3 CRANKCASE COVER



PART NO.	英文名称 (ENGLISH NAME)	Q'TY
A3-1	Gasket,Crankcase Cover,RH	1
A3-2	Dowel pin φ8×14	2
A3-3	R·crankcase cover assy	1
A3-4	O-ring, dipstick	1
A3-5	Dipstick	1
A3-6	L·crankcase assy	1
A3-7	Clutch joy stick assy	1
A3-8	Spring, clutch joy stick	1
A3-9	Clutch apart cam	1
A3-10	Pin	1
A3-11	L·crankcase cover gasket	1
A3-12	Dowel pinφ10×14	2
A3-13	Inspection hole screw	1
A3-14	O-ringφ13.8×2.5	1
A3-15	Dual-gear	1
A3-16	Roller Bearing	1
A3-17	O-ringφ27.4×2.5	1
A3-18	BoltM6×40	17
A3-19	BoltM6×50	2
A3-20	Gear assy, start clutch	1
A3-21	screw	1
A3-22	L·Rr cover	1
A3-23	BoltM6×12	3
A3-24	Pass wheel cover	1
A3-25	O-ring	1
A3-26	Axle, dual-gear	1
A3-27	Dual-gear assy	1

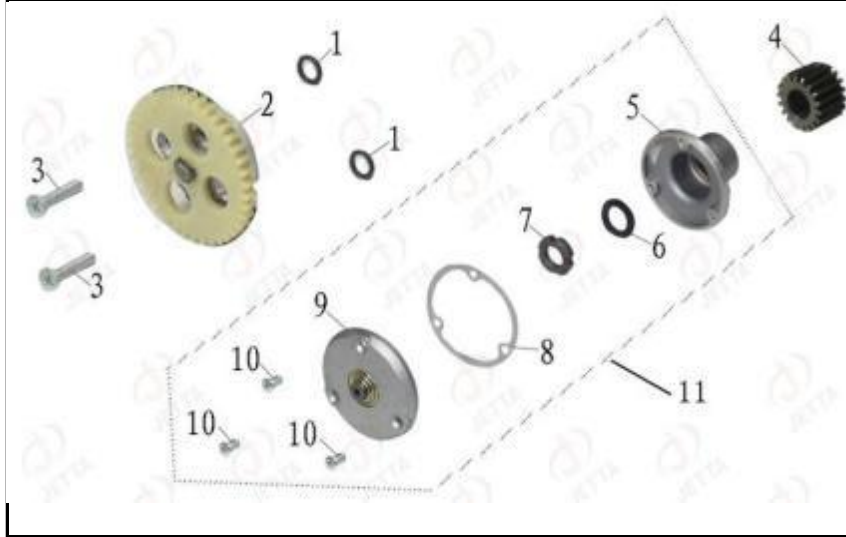
A4 磁电机 FIG. A4MAGNETO	PART NO.	英文名称 (ENGLISH NAME)	Q'TY
	A4-1A	Magneto assy , with isolator	1
	A4-1B	Magneto assy,without isolator	1
	A4-2	Induced Coil	1
	A4-3A	Rotor assy, magneto , with isolator	1
	A4-3B	Rotor assy, magneto, without isolator	1
	A4-4	Stator assy, magneto	1
	A4-5	Washerφ5	2
	A4-6	Bolt M5×16	2
	A4-7	Bolt M5×25	3
A4-8	Washer	1	
A4-9	Lock nut, magneto	1	

A5 离合器 FIG. A5 CLUTCH	PART NO.	英文名称 (ENGLISH NAME)	Q'TY
	A5-1A	Clutch assy , 4 pole modle	1
	A5-1B	Clutch assy , 6 pole modle	1
	A5-2	Drive Disc Comp.,Clutch	1
	A5-3	Spline Washer	1
	A5-4	Driven Disc Comp.,Clutch	1
	A5-5	Collar	1
	A5-6	Bearing6001	1
	A5-7	Clutch handspike	1
	A5-8	Clutch mandril	1
	A5-9,10A	clutch disc(4pcs/set)	
	A5-9,10B	clutch disc(5pcs/set)	
	A5-9,10C	clutch disc(6pcs/set)	
		steel disc	



**ЗАКАЗ ЗАПЧАСТЕЙ
И МОТОТЕХНИКИ:**
 ДЛЯ ОПТОВЫХ ПОКУПАТЕЛЕЙ
WWW.WM-OPT.RU
 ДЛЯ РОЗНИЧНЫХ ПОКУПАТЕЛЕЙ
 ИНТЕРНЕТ МАГАЗИН
WWW.W-MOTORS.RU
 БОЛЕЕ 10 000 НАИМЕНОВАНИЙ В НАЛИЧИИ

A6 机油泵
FIG. A6OIL PUMP



PART NO.	英文名称 (ENGLISH NAME)	Q'TY
A6-1	O-Ring ϕ 9.4 \times 2.4	2
A6-2	Oil pump assy	1
A6-3	Screw M6 \times 30	2
A6-4	Primary initiative gear	1
A6-5	Rotor assy, oil filter	1
A6-6	Washer	1
A6-7	Fixing nut, primary initiative gear	1
A6-8	Sealed-ring, cap,oil filter	1
A6-9	Cap, oil filter	1
A6-10	Screw M5 \times 12	3
A6-11	oil filter assy	1

A7 启动电机 FIG.A7 STARTING MOTOR	PART NO.	英文名称 (ENGLISH NAME)	Q'TY
	A7-1	Starting motor	1
	A7-2	Bolt M6×28	2



**ЗАКАЗ ЗАПЧАСТЕЙ
И МОТОТЕХНИКИ:**
 ДЛЯ ОПТОВЫХ ПОКУПАТЕЛЕЙ
WWW.WM-OPT.RU
 ДЛЯ РОЗНИЧНЫХ ПОКУПАТЕЛЕЙ
 ИНТЕРНЕТ МАГАЗИН
WWW.W-MOTORS.RU
 БОЛЕЕ 10 000 НАИМЕНОВАНИЙ В НАЛИЧИИ

A8 曲轴箱
CRANKCASE

FIG.A8



PART NO.	英文名称 (ENGLISH NAME)	Q'TY
A8-1	R-crankcase assy	1
A8-2	Bearing NK1512	1
A8-3	Bearing 6006	1
A8-4	Bearing NK2810	1
A8-5	Dowel pin	2
A8-6	Crankcase gasket	1
A8-7	L-crankcase assy	1
A8-8	Bearing 6202	1
A8-9	Bearing 6204	1
A8-10	Bearing NK1010	1
A8-11	Gauze Set	1
A8-12	Spring, filter gauze	1
A8-13	Cover, Gauze	1
A8-14	Cylinder bolt A M8×130	2
A8-15	Cylinder bolt B M8×122	2
A8-16	Bolt M6×50	9
A8-17	Press pin assy	1
A8-18	Washer6.7×1×14.4	1
A8-19	Bolt M6×25	1
A8-20	Washer12	4
A8-21	Bolt M8×32	4
A8-22	Oil seal, gearshift	1
A8-23	Oil seal, countershaft	1
A8-24	Adjust bracket, clutch cable	1
A8-25	Bolt M6×55	1
A8-26	Washer12.5×1.5×20	1
A8-27	Fuel screw	1


A10 传动机构

FIG.A10 TRANSMISSION



PART NO.	英文名称 (ENGLISH NAME)	Q'TY
A10-1	Washer15.2×1×30	1
A10-2	Output chain wheel	1
A10-3	Fixing plank, output chain wheel	1
A10-4	Bolt M6×10	2
A10-5	main shaft assy	1
A10-6	main shaft(with gear 1)	1
A10-7	driving gear,main shaft	1
A10-8	gear 2,main shaft	1
A10-9	gear 3,main shaft	1
A10-10	gear 4,main shaft	1
A10-11	gear 5,main shaft	1
A10-12	driving shaft assy	1
A10-13	driving shaft	1
A10-14	guide plate of gear component	1
A10-15	spring	1
A10-16	gear	1
A10-17	small starting gear	1
A10-18	seat of start reset spring	1
A10-19	start reset spring	1
A10-20	driving shaft ring	1
A10-21	starting pedal	1
A10-22A	Standard (L=39.5mm) counter shaft assy	1
A10-22B	L=44.5mm counter shaft assy	1

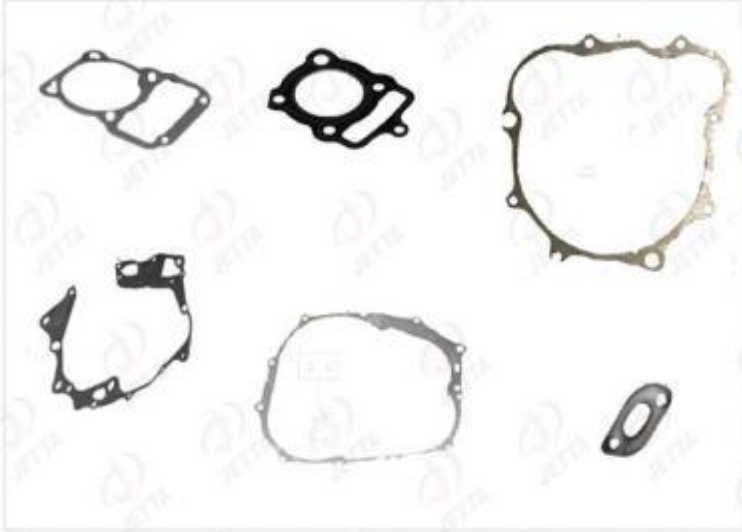
	A10-22C	L=49.5mm counter shaft assy	1
	A10-22D	L=54.5mm counter shaft assy	
	A10-23A	Standard(L=39.5mm) counter shaft	1
	A10-23B	L=44.5mm counter shaft	1
	A10-23C	L=49.5mm counter shaft	1
	A10-23D	L=54.5mm counter shaft	
	A10-24	driving gear,counter gear	1
	A10-25	gear 1,counter gear	1
	A10-26	gear 2,counter gear	1
	A10-27	gear 3,counter gear	1
	A10-28	gear 4,counter gear	1
	A10-29	gear 5,counter gear	1

A11变档凸轮 FIG.A11 GEARSHIFT DRUM	PART NO.	英文名称 (ENGLISH NAME)	Q'TY
	A11-1	Shaft, gearshift	1
	A11-2	Washer	1
	A11-3	Wheel, gearshift	1
	A11-4	Washerφ6	1
	A11-5	Bolt M6×25	1
	A11-6	Spring	1
	A11-7	Limit Block	1
	A11-8	Bolt M6×22	1
	A11-9	Gearshift drum assy	1
	A11-10	Fork Shaft	1
	A11-11	Fork 1	1
	A11-12	Fork 2	1
	A11-13	Fork 3	1
	Trasmission Drum Ass., (A11-9,10,11,12,13)	1	



**ЗАКАЗ ЗАПЧАСТЕЙ
И МОТОТЕХНИКИ:**
 для оптовых покупателей
www.wm-opt.ru
 для розничных покупателей
 ИНТЕРНЕТ МАГАЗИН
www.w-motors.ru
 БОЛЕЕ 10 000 НАИМЕНОВАНИЙ В НАЛИЧИИ

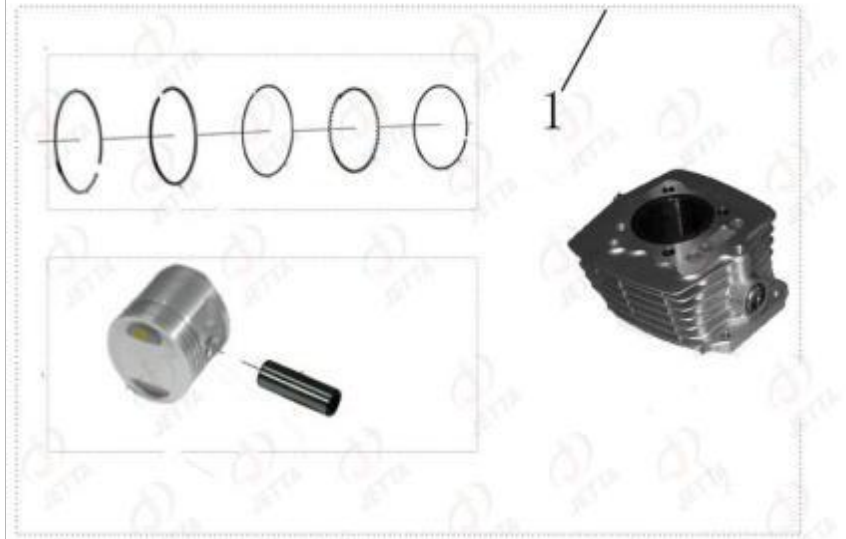
A12 全套纸垫
FIG.A12

A12 全套纸垫 FIG.A12	PART NO.	英文名称 (ENGLISH NAME)	Q'TY	
	A12-1	set of gasket	1	




**ЗАКАЗ ЗАПЧАСТЕЙ
И МОТОТЕХНИКИ:**
 для ОПТОВЫХ ПОКУПАТЕЛЕЙ
WWW.WM-OPT.RU
 для РОЗНИЧНЫХ ПОКУПАТЕЛЕЙ
 ИНТЕРНЕТ МАГАЗИН
WWW.W-MOTORS.RU
 БОЛЕЕ 10 000 НАИМЕНОВАНИЙ В НАЛИЧИИ

A13 套缸
FIG.A13



PART NO.	英文名称 (ENGLISH NAME)	Q'TY
A13-1A	cylinder kit (cylinder+piston&ring assy), small leaf model	1
A13-1B	cylinder kit (cylinder+piston&ring assy), big leaf model	1

A14 缸头总成 (全套) FIG.A14	PART NO.	英文名称 (ENGLISH NAME)	Q'TY
	A9-1	cylinder head comp	1
	A9-2	inlet and exhaust valve	1
	A9-3	inner and outer of valve spring (set)	1
		valve accessory(set, with A2- 3,4,8,9)	1



**ЗАКАЗ ЗАПЧАСТЕЙ
И МОТОТЕХНИКИ:**

для ОПТОВЫХ ПОКУПАТЕЛЕЙ

WWW.WM-OPT.RU

для РОЗНИЧНЫХ ПОКУПАТЕЛЕЙ

ИНТЕРНЕТ МАГАЗИН

WWW.W-MOTORS.RU

БОЛЕЕ 10 000 НАИМЕНОВАНИЙ В НАЛИЧИИ



A15 全套轴承
FIG.A15



FIG.A16



PART NO.	英文名称 (ENGLISH NAME)	Q'TY
A15-1	full set of bearing	1
	Bearing6001	1
	Bearing 6006	1
	Bearing 6202	1
	Bearing 6204	1
PART NO.	英文名称 (ENGLISH NAME)	Q'TY
A16-1	full set of seal	1
	Oil seal, gearshift	1
	Oil seal, countershaft	1
	Oil seal, gearshift 14×28×7	1
	Crankshaft L-oil seal 34×50×7	1
A16-2	camshaft (set)	1

A17 其他边盖 FIG.A17 OTHER OPTIONA COVER		PART NO.	英文名称 (ENGLISH NAME)	Q'TY
		A17-1	COVER A	
		A17-2	COVER B	
		A17-3	COVER C	
		A17-4	OTHER COVER.	
