

СКУТЕР РАПИРА 50



КАТАЛОГ ЗАПЧАСТЕЙ

CONTENT

1. SPEEDOMETER	——	01	11. FUEL BOX	——	12
2. FRONT COVER	——	02	12. VEHICLE FRAME	——	13
3. TAILLIGHT	——	03	13. ELECTRIC ASSY	——	15
4. SEAT LOCK	——	04	14. FRONT ABSORBER	——	17
5. PROTECTING	——	06	15. REAR WHEEL ASSY	——	19
6. FOOT BOARD	——	07	16. CABLE	——	21
7. AIR FILTER ASSY	——	08	17. FRONT WHEEL ASSY	——	24
8. MUFFLER	——	09	18. ENGINE ASSY	——	25
9. HANDLERBAR	——	10	19. CARBURETOR ASSY	——	26
10. SEAT ASSY	——	11			

1 、 仪 表 、 仪 表 罩 —SPEEDOMETER

NO : 01



NO.	Part NO.	Description	Description in English	数量 Qty	备注 Remark	价格 Price (USD)
1.	10100005-31M	挡风罩	WINDOWS SCREW	1		
2.	10400002-31M	碟刹泵盖	SHIELD CASING	1		
3.	10100001-31M	头罩	COVER SPEEDOMETRE	1		
4.	16100000-31M	仪表	SPEEDOMETRE	1		

5.	16100001-31M	塑料自攻钉	PLASTIC SELF-TAPPINGSCREW	4		
6.	16100002-31M	塑料自攻钉盖	PLASTIC SELF-TAPPINGSCREW OF COVER	4		
7.	GB/T823	十字盘头螺栓 M5×10	SCREW M5×12	2		
8.	GB/T845	自攻螺钉 ST4.2×12	SELF-TAPPINGSCREW ST4.2×12	3		
9.	10400001-31M	仪表罩	INNER COVER SPEEDOMETRE	1		
10.	GB/T845	自攻螺钉 ST4.2×16	SELF-TAPPINGSCREW ST4.2×16	2		



**ЗАКАЗ ЗАПЧАСТЕЙ
И МОТОТЕХНИКИ:**

ДЛЯ ОПТОВЫХ ПОКУПАТЕЛЕЙ

WWW.WM-OPT.RU

ДЛЯ РОЗНИЧНЫХ ПОКУПАТЕЛЕЙ

ИНТЕРНЕТ МАГАЗИН

WWW.W-MOTORS.RU

БОЛЕЕ 10 000 НАИМЕНОВАНИЙ В НАЛИЧИИ

2 、 前 面 板 —FRONT COVER

NO : 02

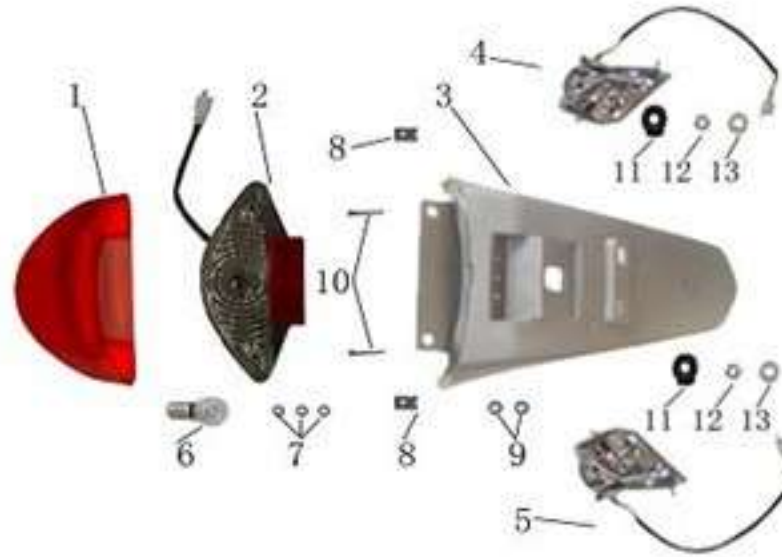


NO.	Part NO.	Description	Description in English	数量 Qty	备注 Remark	Pric (USD)
1.	10100002-31M	大灯前护罩	FRONT COVER OF HEADLIGHT	1		
2.	14100001-31D	前大灯灯泡 12V 35W/35W	BULB OF HEADLIGHT12V 25W	1		
3.	14100000-31M	前大灯	HEADLIGHT	1		
4.	10400003-31M	车架档泥板	VEHICLE FRAME FENDER OF	1		

			WHEEL			
5.	GB/T823	十字盘头螺栓 M6×16	SCREW M6×16	1		
6.	GB/T845	自攻螺钉 ST4.2×12	SELT-TAPPING SCREW ST4.2×12	6		
7.	GB/T845	自攻螺钉 ST4.2×25	SELT-TAPPING SCREW ST4.2×25	2		
8.	Q/FB008-2004	夹片 4.2	Clip 4.2	6		
9.	10100004-31M	前装饰板	PROTECTING Front	1		
10.	10500001-31M	网罩	NET COVER	1		
11.	14400000-31M	防雾灯	PREVENT FOGLIGHT	1		
3、尾灯组件—TAILLIGHT						NO :
03						



**ЗАКАЗ ЗАПЧАСТЕЙ
И МОТОТЕХНИКИ:**
ДЛЯ ОПТОВЫХ ПОКУПАТЕЛЕЙ
WWW.WM-OPT.RU
ДЛЯ РОЗНИЧНЫХ ПОКУПАТЕЛЕЙ
ИНТЕРНЕТ МАГАЗИН
WWW.W-MOTORS.RU
БОЛЕЕ 10 000 НАИМЕНОВАНИЙ В НАЛИЧИИ



NO.	Part NO.	Description	Description in English	数量 Qty	备注 Remark	价格 Price (USD)
1.	14200001-31M	尾灯盖	TAILLIGHT COVER	1		
2.	14200000-31M	后尾灯	REAR LAMP	1		
3.	10400010-31M	挡泥板	FENDER	1		
4.	14304000-31M	后右转向灯	REAR TURN RIGHT LIGHT	1		
5.	14303000-31M	后左转向灯	REAR TURN LEFT LIGHT	1		
6.	14300001-31D	后尾灯灯泡	BULB OF TAILLIGHT	1	12V 21W/5W	
7.	GB/T6177.1	六角法兰面螺母 M6	HEXAGON BOLT M6	3		

8.	Q/FB008-2004	夹片 4.2	Clip 4.2	2		
9.	GB/T6177.1	六角法兰面螺母 M8	HEXAGON NUT M8	2		
10.	GB/T845	自攻螺钉 ST4.2×25	SELT-TAPPING SCREW ST4.2×55	2		
11.	14300002-31D	橡胶衬套	RUBBER RING	2		
12	Q/FB010-2004	平垫 8	WASHER Ф8	2		
13	GB/T6177.1	六角法兰面螺母 M8	HEXAGON NUT M8	2		
4、锁类—SEAT LOCK						NO : 04



**ЗАКАЗ ЗАПЧАСТЕЙ
И МОТОТЕХНИКИ:**

ДЛЯ ОПТОВЫХ ПОКУПАТЕЛЕЙ

WWW.WM-OPT.RU

ДЛЯ РОЗНИЧНЫХ ПОКУПАТЕЛЕЙ

ИНТЕРНЕТ МАГАЗИН

WWW.W-MOTORS.RU

БОЛЕЕ 10 000 НАИМЕНОВАНИЙ В НАЛИЧИИ

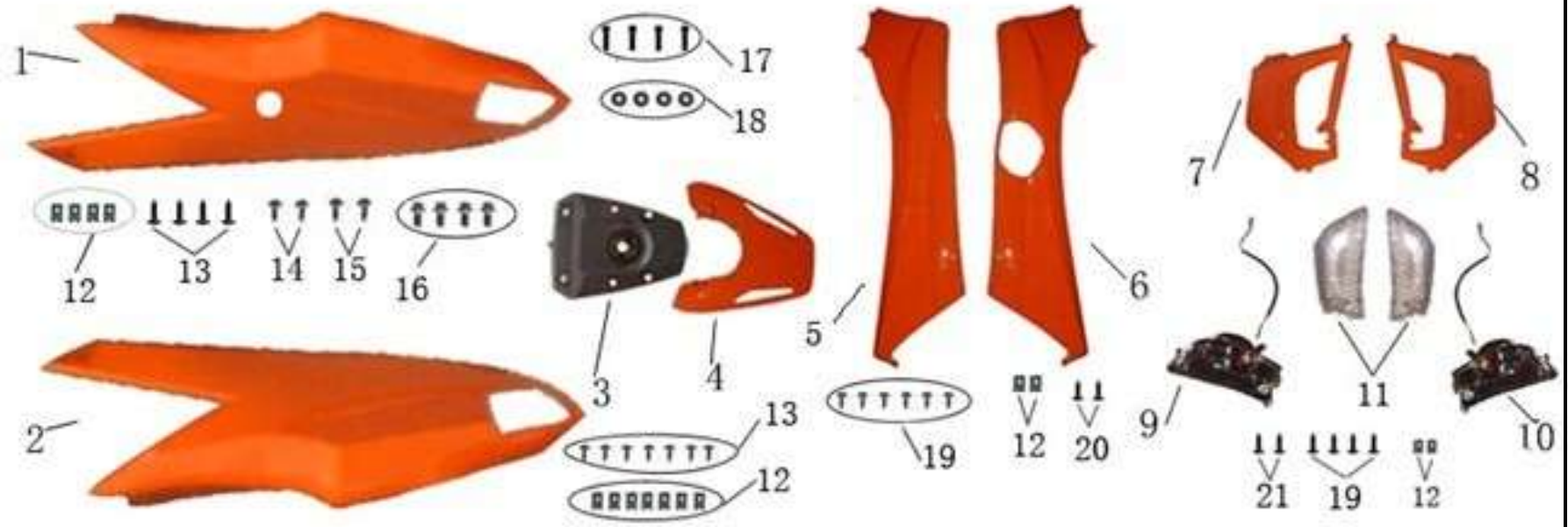


NO.	Part NO.	Description	Description in English	数量 Qty	备注 Remark	Pric (USD)
1.	18100000-310	点火开关	IGNITION LOCK	1		
2.	GB/T16674	六角法兰面螺栓 M6×16	HEXAGON M6×16	2		
3.	11200000-310	油箱盖	COVER OF FUEL BOX	1		
4.	18400000-310	座垫锁	SEAT LOCK	1		
5.	18500000-310	座垫锁架	BRACKET OF SEAT LOCK	1		
6.	18300000-310	工具箱锁	LOCK OF LUGGAGE	1		

7.	18001000-310	钥匙	KEY	2		
8.	18401000-310	座垫锁板	SEAT LOCK PLATE	1		
9.	18301000-310	工具箱锁卡板	CLIP OF LUGGAGE	2		
10.	GB/T16674	六角法兰面螺栓 M6×16	HEXAGON M6×16	2		

5、左、右装饰板 PROTECTING

NO : 05



NO.	Part NO.	Description	Description in English	数量 Qty	备注 Remark	Pric (USD)
1.	10300001-31M	左装饰板	PROTECTING PLATE LEFT	1		
2.	10300002-31M	右装饰板	PROTECTING PLATE RIGHT	1		

3.	10400013-31M	油箱盖板	FUEL TANK BRACKET	1		
4.	17300001-31M	后把手	HAND HOLD	1		
5.	10200001-31M	左中边条	PROTECTING PLATE COMP L	1		
6.	10200002-31M	右中边条	PROTECTING PLATE COMP R	1		
7.	10100004-31M	前左装饰板	PLASTIC COVER , L	1		
1.	10100004-31M	前右装饰板	PLASTIC COVER , R	1		
8.	14301000-31M	前左转向灯	TURNING LIGHT , FL	1		
9.	14302000-31M	前右转向灯	TURNING LIGHT , FR	1		
10.	14300001-31M	前转向灯灯壳	TURNING LIGHT COVER	2		



**ЗАКАЗ ЗАПЧАСТЕЙ
И МОТОТЕХНИКИ:**

ДЛЯ ОПТОВЫХ ПОКУПАТЕЛЕЙ

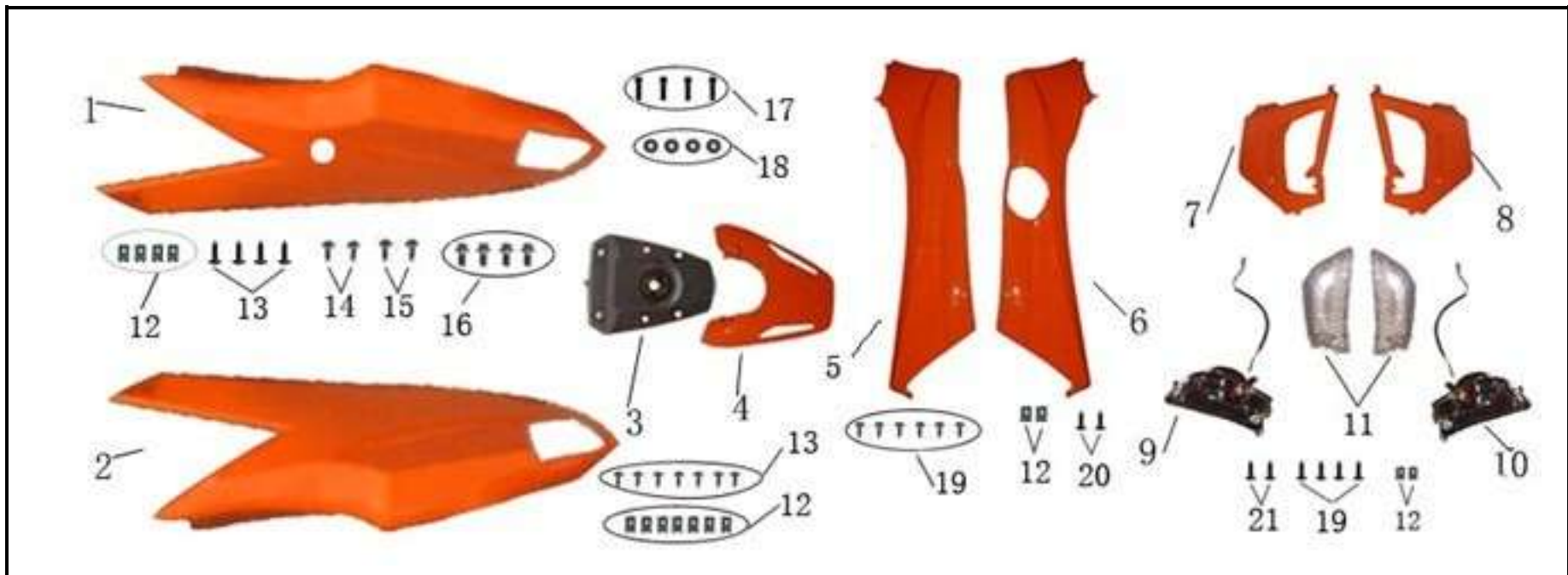
WWW.WM-OPT.RU

ДЛЯ РОЗНИЧНЫХ ПОКУПАТЕЛЕЙ

ИНТЕРНЕТ МАГАЗИН

WWW.W-MOTORS.RU

БОЛЕЕ 10 000 НАИМЕНОВАНИЙ В НАЛИЧИИ



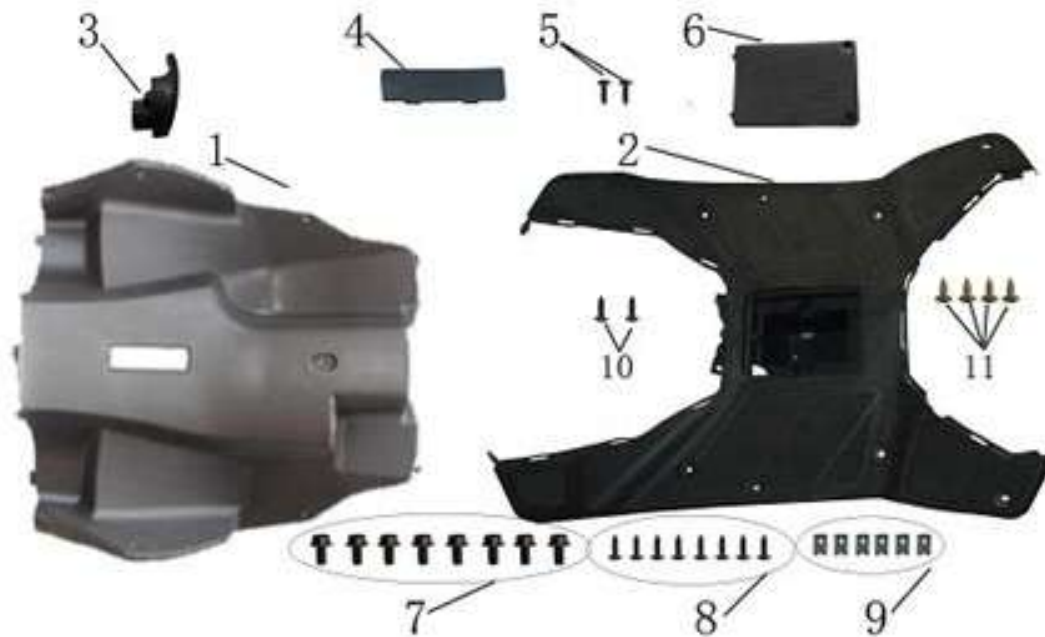
11.	Q/FB008-2004	夹片	CLIP	15		
12.	GB/T845	自攻螺钉 ST4.8×16	SELT-TAPPING SCREW ST4.8×16	11		
13.	Q/FB011-2004	十字大扁头螺栓 M6×12	CROSS-HEAD BOLT M6×12	2		
14.	Q/FB011-2004	十字大扁头螺栓 M6×20	CROSS-HEAD BOLT M6×20	2		
15.	GB/T16674	六角法兰面螺栓 M6×16	HEXAGON M6×16	4		
16.	GB/T70.1	内六角圆柱头螺钉 M8×45	INSIDE HEXAGON BOLT M8×45	4		
17.	Q/FB010-2004	平垫片 $\phi 6 \times \phi 18$	WASHER $\phi 6 \times \phi 18$	4		
18.	GB/T845	自攻螺钉 ST4.2×16	SELT-TAPPING SCREW ST4.2×16	12		

19.	GB/T845	自攻螺钉 ST4.8×12	SELT-TAPPING SCREW ST4.8×12	2		
20.	GB/T845	自攻螺钉 ST4.2×12	SELF-TAPPING SCREW ST4.2×12	2		
21.						
22.						

6、脚踏板组件—FOOT BOARD

NO :

07



NO.	Part NO.	Description	Description in English	数量 Qty	备注 Remark	Pric (USD)
-----	----------	-------------	------------------------	--------	-----------	--------------

1.	10400004-31M	工具箱	TOOL BOX	1		
2.	10400005-31M	脚踏板	FOOT BOARD	1		
3.	10400015-31M	头盔挂钩	HELMET HOOK	1		
4.	10400014-31M	车架号码盖	VIN NUMBER COVER	1		
5.	GB/T845	自攻螺钉 ST4.8×12	SELF-TAPPING SCREW ST4.8×12	2		
6.	10400013-31M	电瓶盖	COVER OF BATTERY	2		
7.	GB/T16674	六角法兰面螺栓 M6×20	HEXAGON M6×20	8		
8.	GB/T845	自攻螺钉 ST4.8×16	SELF-TAPPING SCREW ST4.8×16	8		
9.	Q/FB008-2004	夹片 4.2	CLIP 4.2	2		
10.	GB/T845	自攻螺钉 ST4.2×16	SELF-TAPPING SCREW ST4.2×16	2		
11.	GB/T845	自攻螺钉 ST4.8×12	SELF-TAPPING SCREW ST4.8×12	4		

7、空滤气总成—AIR FILTERSY

NO : 08



**ЗАКАЗ ЗАПЧАСТЕЙ
И МОТОТЕХНИКИ:**
ДЛЯ ОПТОВЫХ ПОКУПАТЕЛЕЙ
WWW.WM-OPT.RU
ДЛЯ РОЗНИЧНЫХ ПОКУПАТЕЛЕЙ
ИНТЕРНЕТ МАГАЗИН
WWW.W-MOTORS.RU
БОЛЕЕ 10 000 НАИМЕНОВАНИЙ В НАЛИЧИИ



NO.	Part NO.	Description	Description in English	数量 Qty	备注 Remark	价格 Price (USD)
1.	01501000-310	空滤器壳体	AIR FILTER	1		
2.	015000010-310	空滤器卡扣	CLIP OF AIR FILTER	1		
3.	GB/T6170	六角螺母 M5	NUT M5	1		
4.	GB/T5781	六角螺栓 M5×20	BOLT M5×20	1		
5.	01502000-310	连接板	PLATE	1		

6.	01500002-310	卡簧Φ12	CLIP SPRINGΦ12	1		
7.	01502000-310	空滤器盖	COVER OF AIR FILTER	1		
8.	01504000-310	空滤器滤芯	AIR FILTER ELEMENT	1		
9.	01505000-310	空滤器连接轴套	BUSHING OF AIR FILTER PLATE	1		
10.	01506000-310	废油管	WASTE FUEL TUBE	1		
11	01500003-310	卡簧Φ12	CLIP SPRINGΦ12	1		
12	01500004-310	废油管帽	ASTE FUEL TUBE CAP	1		
13	GB/T845	自攻螺钉 ST4.8×16	SELF-TAPPING SCREW ST4.8×16	7		
14	GB/T845	自攻螺钉 ST4.2×12	SELF-TAPPING SCREW ST4.8×16	2		

8、排气消声器--MUFFLER

NO : 9



**ЗАКАЗ ЗАПЧАСТЕЙ
И МОТОТЕХНИКИ:**

ДЛЯ ОПТОВЫХ ПОКУПАТЕЛЕЙ

WWW.WM-OPT.RU

ДЛЯ РОЗНИЧНЫХ ПОКУПАТЕЛЕЙ

ИНТЕРНЕТ МАГАЗИН

WWW.W-MOTORS.RU

БОЛЕЕ 10 000 НАИМЕНОВАНИЙ В НАЛИЧИИ



NO.	Part NO.	Description	Description in English	数量 Qty	备注 Remark	Pric (USD)
1.	03101000-310	消声器	MUFFLER	1		
2.	10500001-310	镀铬尾罩	TAIL COVER	1		
3.	10500002-310	镀铬装饰板 A	HEAD COVER A	1		
4.	10500003-310	镀铬装饰板 B	HEAD COVER B	1		
5.	01001000-310	发动机连接板	PLATE OF ENGINE	1		
6.	GB/T6187.1	六角法兰面自锁螺母 M6	HEXAGON BOLT M 6	2		
7.	GB/T16674	六角法兰面螺栓 M6×10	HEXAGON BOLT M 6×10	2		
8.	Q/FB010-2004	平垫片 $\phi 6 \times \phi 12$	WASHER $\phi 6 \times \phi 12$	2		

9.	Q/FB010-2004	平垫片 $\phi 6 \times \phi 12$	WASHER $\phi 6 \times \phi 12$	3		
10.	GB/T16674	六角法兰面螺栓 M6×8	HEXAGON BOLT M 6×8	3		
11	03400001-310	消声器出口垫圈	WASHER OF MUFFLER	9		
12	GB/T16674	六角法兰面螺栓 M10×55	HEXAGON BOLT M 10×55	2		
13	GB/T6177.1	六角法兰面螺母 M10	HEXAGON NUT M10	1		

9、方向把总成—HANDLEBAR

NO : 10



NO.	Part NO.	Description	Description in English	数量 Qty	备注 Remark	Pric (USD)
1.	08100001-310	左握把	LEFT HANDLEBAR	1		

2.	08103000-31M	方向把	HANDLE BAR	1		
3.	08201000-310	右握把	RIGHT HANDLEBAR	1		
4.	08301000-310	左后视镜	MIRROR LEFT	1		
5.	08302000-310	右后视镜	MIRROR RIGHT	1		
6.	15101000-310	左把手开关	SWITCH OF LEFT HANDLEBAR	1		
7.	15102000-310	右把手开关	SWITCH OF RIGHT HANDLEBAR	1		
8.						
9.						
10.						
11.						
12.						
10、座垫总成—SEAT ASSY						NO :
11						



NO.	Part NO.	Description	Description in English	数量 Qty	备注 Remark	Pric (USD)
1 .	10400014-31M	保养盖	COVER OF BATTERY	1		
2.	12200000-31M	座垫	SAET ASSY	1		
3.	10400008-31M	杂物箱前罩	FOT COVER OF LUGGAGE	1		
4.	12200001-31M	座垫摇臂	SEAT ROCKET	1		
5.	12200002-31M	座垫销轴	SAET CLIP	1		
6.	GB/T6177.1	六角法兰面螺母 M6	HEXAGON BOLT M6	3		
7.	10400006-31M	杂物箱	LUGGAGE BOX	1		

8.	10400009-31M	杂物箱内罩	INNER COVER OF LUGGAGE	1		
9.	GB/T845	自攻螺钉 ST4.8×16	SELF-TAPING SCREW ST4.8×16	6		
10.	GB/T16674	六角法兰面螺栓 M6×16	HEXAGON BOLT M6×16	4		
11	GB/T845	自攻螺钉 ST4.8×12	SELF-TAPING SCREW ST4.8×12	1		
12	GB/T845	自攻螺钉 ST4.2×12	SELF-TAPING SCREW ST4.2×12	2		

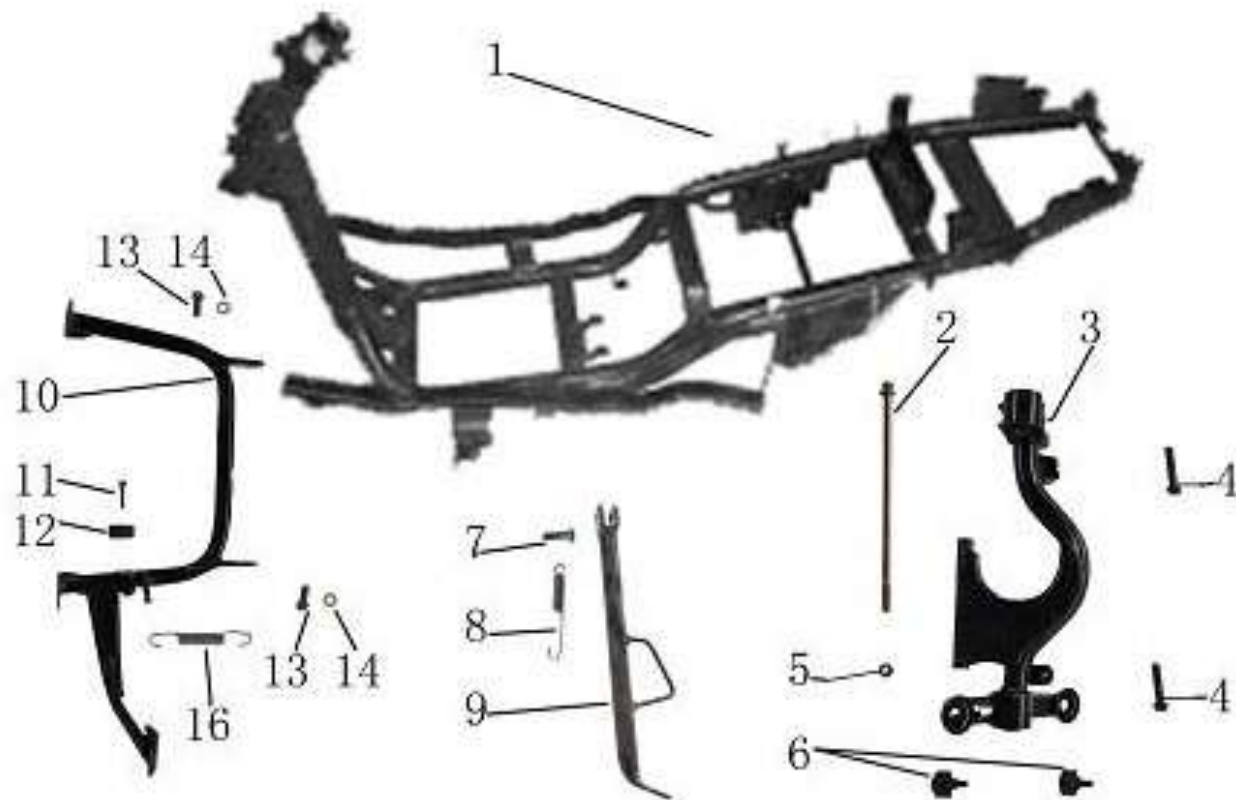
11、油箱总成—FUEL BOX

NO : 12



NO.	Part NO.	Description	Description in English	数量 Qty	备注 Remark	Pric (USD)
1 .	11100000-31D	油箱	FUEL BOX	1		

2.	11200000-310	油箱压板	PLATE OF FUEL BOX	1		
3.	11400000-31D	燃油传感器	FUEL SENSOR UNIT	2		
4.	GB/T16674	六角法兰面螺栓 M6×16	HEXAGON BOLT M6×16	4		
5.	GB/T16674	六角法兰面螺栓 M6×16	HEXAGON BOLT M6×16	4		
6.	GB/T16674	六角法兰面螺栓 M6×12	HEXAGON BOLT M6×12	2		
7.	Q/FB010-2004	油箱压板垫片	PLATE OF FUEL BOX WASHER	2		
8.	11300000-310	油箱开关	SWITCH PETCOCK	1		
9.	01500000-310	燃油过滤器	FUEL FILTER	1		
10.	11500001-310	油管 $\phi 5 \times \phi 8.5$	FUEL TUBE $\phi 5 \times \phi 8.5$	1		
11	11500002-310	负压管 $\phi 4 \times \phi 7$	GAS HOSE $\phi 4 \times \phi 7$	1		
12						
12、车架总成—VEHICLE FRAME						NO :
13						

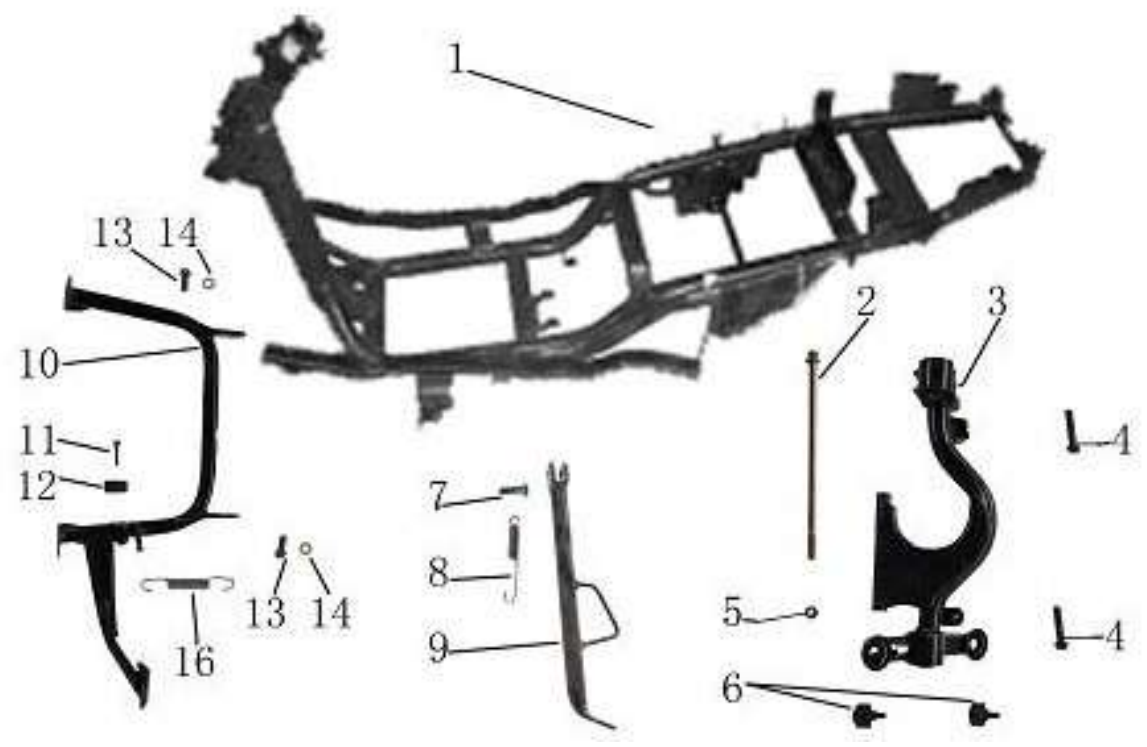


NO.	Part NO.	Description	Description in English	数量 Qty	备注 Remark	Pric (USD)
1 .	02100000-31M	车架	VEHICLE FRAME	1		
2.	05103000-310	吊架轴 M10×190	HANGER BOLT M10×190	1		
3.	05102000-310	吊架	HANGER	2		
4.	120004	六角法兰面螺栓 M10×55	HEXAGON BOLT M10×55	2		
5.	GB/T6187.1	六角法兰面自锁螺母 M10	HEXAGON BOLT M10	1		

6.	00300002-310	吊架缓冲块	BUFFER OF HANGER	2		
7.	02400001-310	侧支撑固定螺栓	BOLT OF SIDE STANE	1		
8.	00200002-310	侧支撑拉簧	SPRING OF SIDE STAND	1		

12、车架总成—VEHICLE FRAME NO :

14



NO.	Part NO.	Description	Description in English	数量 Qty	备注 Remark	价格 Price
-----	----------	-------------	------------------------	--------	-----------	----------

						(USD)
9.	02400000-310	侧支撑	SIDE STAND	1		
10.	02500000-310	主支撑	CENTER STAND	1		
11.	GB/T16674	六角法兰面螺栓 M6×30	BOLT M6×25	1		
12.	00300001-310	主支撑缓冲块	BUFFER OF CENTER STAND	1		
13.	GB/T16674	六角法兰面螺栓 M10×25	BOLT M10×25	2		
14.	02500001-310	锁紧衬套	BUSHING	2		
15.						
13、电器总成—ELECTRIC ASSY						NO :
15						



**ЗАКАЗ ЗАПЧАСТЕЙ
И МОТОТЕХНИКИ:**

ДЛЯ ОПТОВЫХ ПОКУПАТЕЛЕЙ

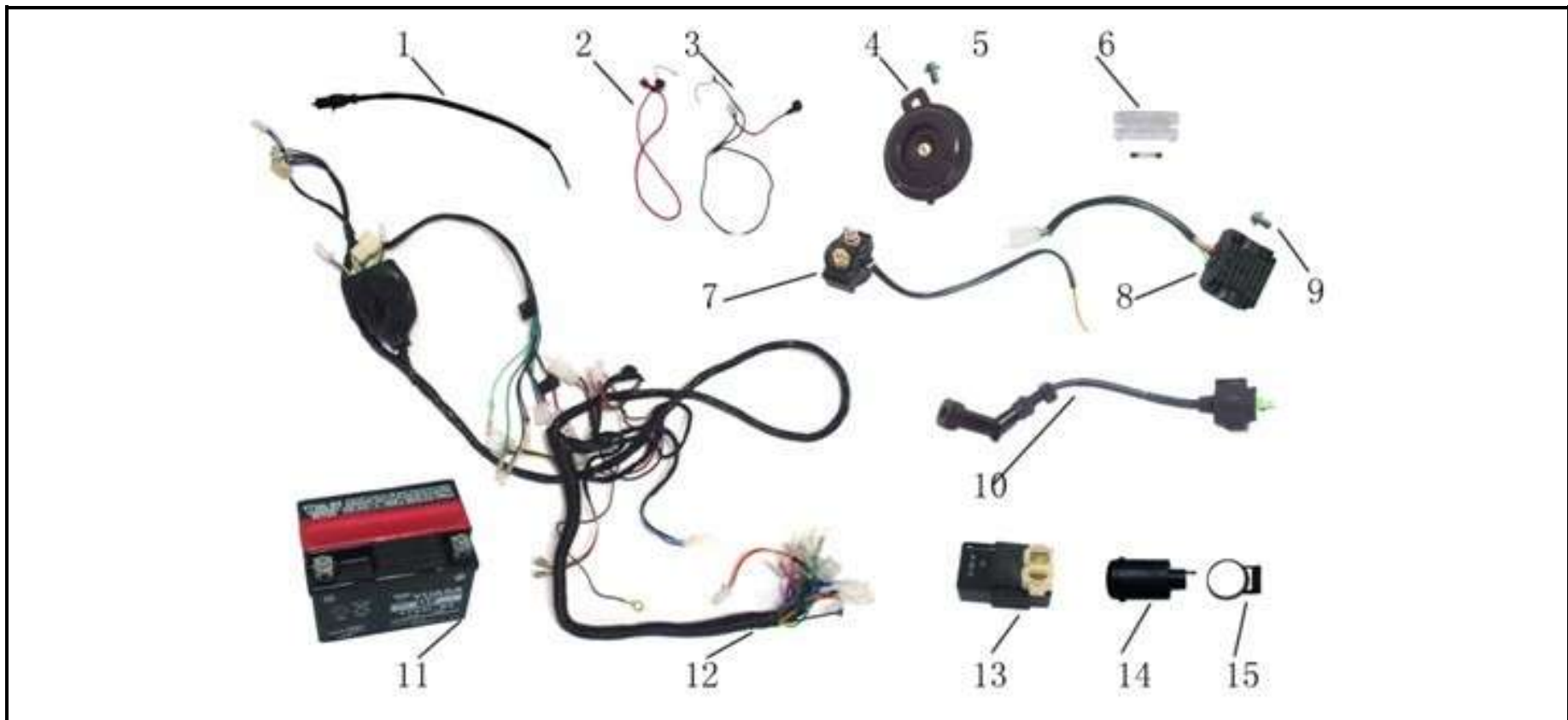
WWW.WM-OPT.RU

ДЛЯ РОЗНИЧНЫХ ПОКУПАТЕЛЕЙ

ИНТЕРНЕТ МАГАЗИН

WWW.W-MOTORS.RU

БОЛЕЕ 10 000 НАИМЕНОВАНИЙ В НАЛИЧИИ



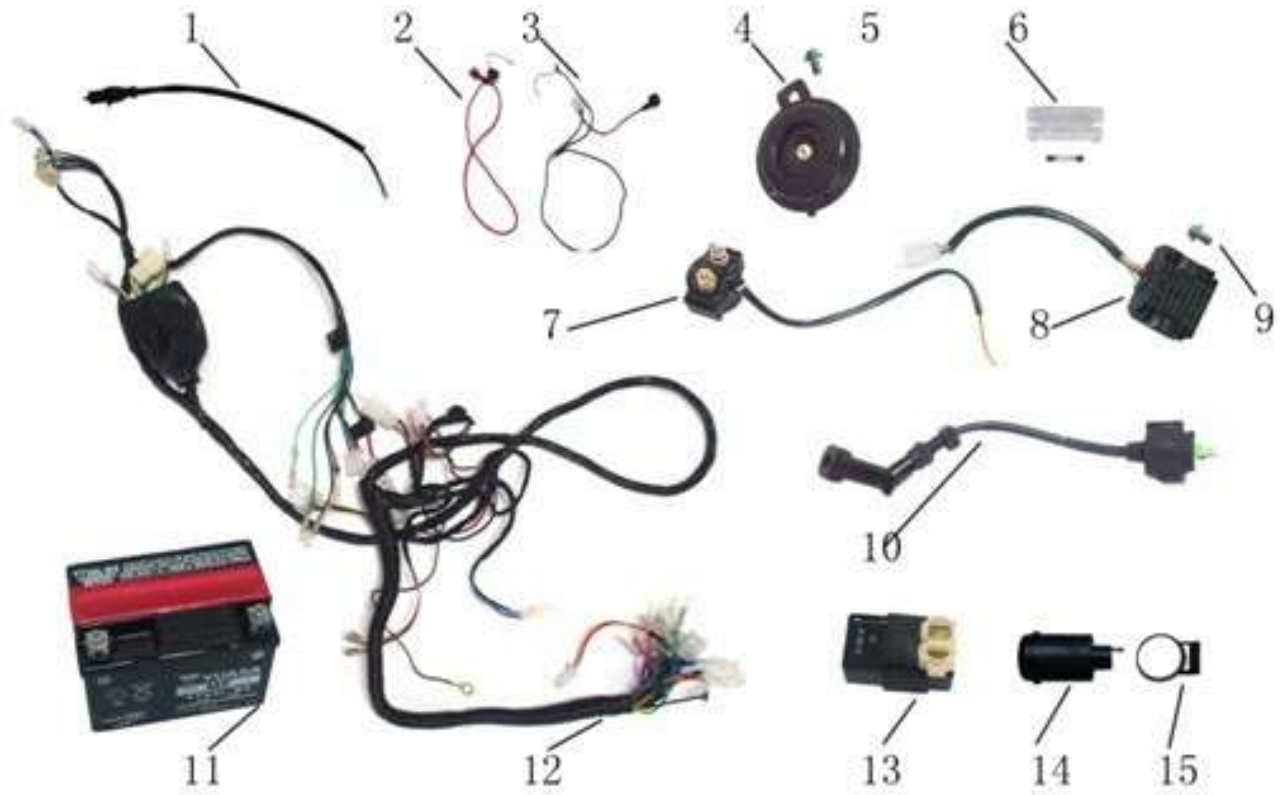
NO.	Part NO.	Description	Description in English	数量 Qty	备注 Remark	Pric (USD)
1 .	15103000-310	刹车灯开关	SWITCH BRAKE LIGHT	1		
2.	13501000-31D	正极线	+ CABLE OF FUSE	1		
3.	13502000-31D	负极线	- CABLE OF FUSE	1		
4.	15200000-310	喇叭	HORN	1		
5.	GB/T16674	六角法兰面螺栓 M6×16	BOLT M6×16	1		

6.	13800001-310	保险丝	FUSE CABLE	2		
7.	13300000-310	继电器	CAP RELAY ASSY	1		

13、电器总成—ELECTRIC ASSY

NO :

16



NO.	Part NO.	Description	Description in English	数量 Qty	备注 Remark	Pric (USD)
8.	13400000-310	稳压器	RECTIFIER ASSY	1		

9.	GB/T16674	六角法兰面螺栓 M6×16	BOLT M6×16	1		
10.	13100000-310	高压包	HIGH VOLTAGE WIRE ASSY	1		
11	13700000-310	蓄电池	BATTERY BOX	1		
12	13500000-31M	主电缆	CABLE	1		
13	13200000-310	点火器	CDI ASSY	1		
14	15300000-310	闪光器	FLASHER	1		
15	15300001-310	闪光器护套	FLASHER CAP	1		
14、前减震—FRONT ABSORBER						NO :
17						



ЗАКАЗ ЗАПЧАСТЕЙ И МОТОТЕХНИКИ:

ДЛЯ ОПТОВЫХ ПОКУПАТЕЛЕЙ

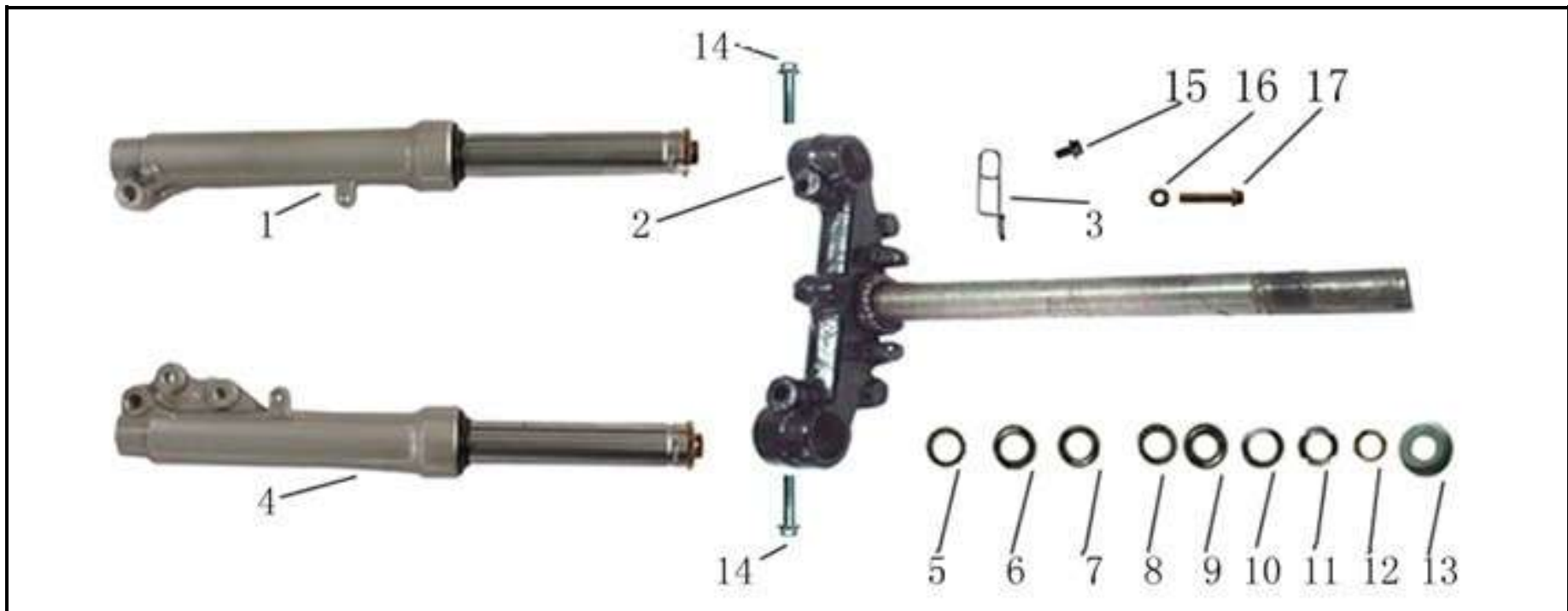
WWW.WM-OPT.RU

ДЛЯ РОЗНИЧНЫХ ПОКУПАТЕЛЕЙ

ИНТЕРНЕТ МАГАЗИН

WWW.W-MOTORS.RU

БОЛЕЕ 10 000 НАИМЕНОВАНИЙ В НАЛИЧИИ

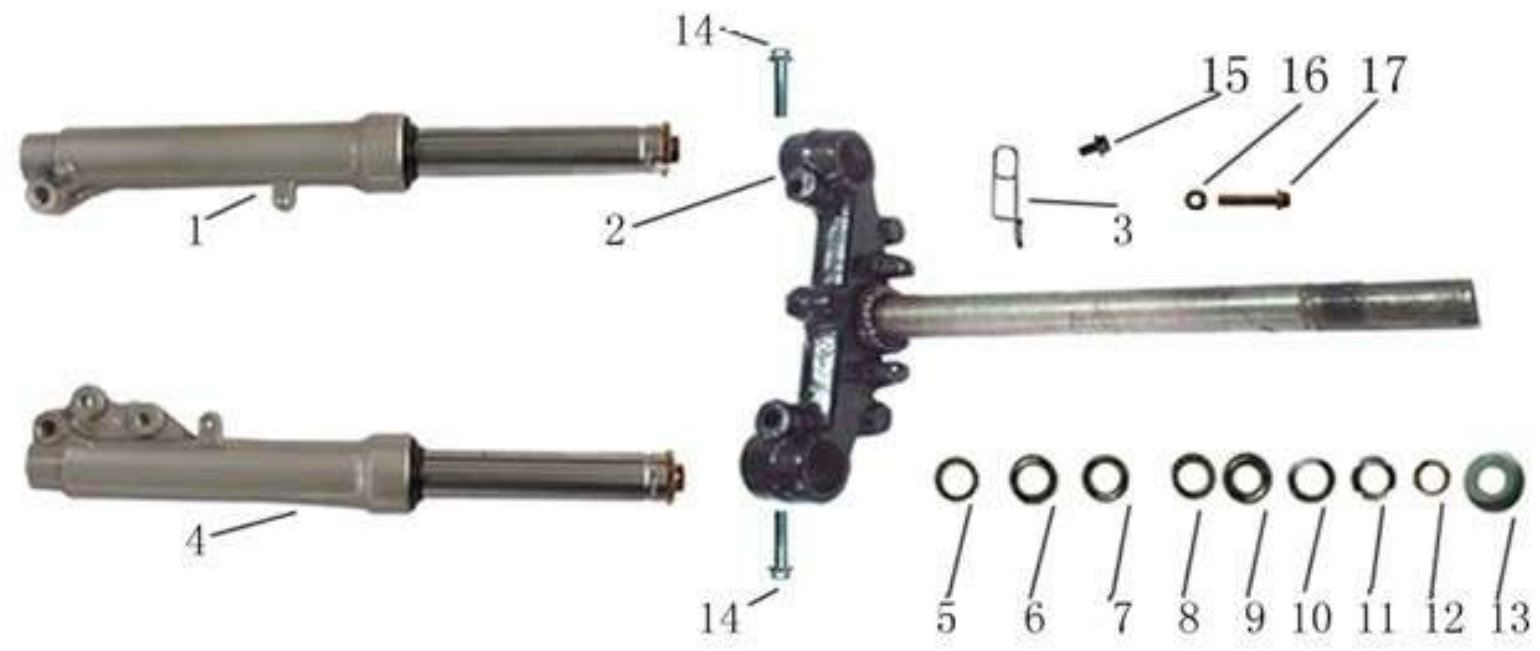


NO.	Part NO.	Description	Description in English	数量 Qty	备注 Remark	Pric (USD)
1 .	04400000-310	前右减震器	FRONT RIGHT ABSORBER ASSY	1		
2.	04101000-310	下联板	STEERING COLUMN	1		
3.	04000001-310	油管线扣	CLIP TUBE	1		
4.	04300000-310	前左减震器	FRONT LEFT ABSORBER ASSY	1		
5.	04000002-310	滚珠 ø6.3	UNDER BALL ø6.3	1		
6.	04000004-310	下凸钢碗	UNDER COVER BEARING BOEWL	1		

7.	04000005-310	下凹钢碗	UNDER COVER BEARING BOEWL	1		
8.	04000003-310	滚珠 ø4	UPPER BALL ø4	1		
9	04000006-310	上凹钢碗	UPPER COVER BEARING BOEWL	1		

14 前 减 震 —FRONT ABSORBER

NO : 18



NO.	Part NO.	Description	Description in English	数量 Qty	备注 Remark	价格 Price (USD)
-----	----------	-------------	------------------------	--------	-----------	---------------------

10.	04000007-310	上凸钢碗	UPPER COVER BEARING BOEWL	1		
11.	04000008-310	锁紧螺母	LOCKNUT	1		
12.	04000009-310	压紧螺母	COMPACTION NUT	1		
13.	04000010-310	防尘盖	DUST SEAL	1		
14 .	GB/T16674	六角法兰面螺栓 M8×48	HEXAGON BOLT M8×48	2		
15 .	GB/T16674	六角法兰面螺栓 M6×12	HEXAGON BOLT M6×12	1		
16 .	GB/T6177.1	六角法兰面螺母 M10	HEXAGON NUT M10	1		
17 .	GB/T16674	六角法兰面螺栓 M10×45	HEXAGON BOLT M10×45	1		



ЗАКАЗ ЗАПЧАСТЕЙ И МОТОТЕХНИКИ:

ДЛЯ ОПТОВЫХ ПОКУПАТЕЛЕЙ

WWW.WM-OPT.RU

ДЛЯ РОЗНИЧНЫХ ПОКУПАТЕЛЕЙ

ИНТЕРНЕТ МАГАЗИН

WWW.W-MOTORS.RU

БОЛЕЕ 10 000 НАИМЕНОВАНИЙ В НАЛИЧИИ

15 、 后 轮 总 成 —REAR WHEEL ASSY

NO : 19



NO.	Part NO.	Description	Description in English	数量 Qty	备注 Remark	Pric (USD)
1 .	7036-03	轮胎	TYRE	1		
2.	07100000-310	后轮辋组件	REAR WHEEL	1		
3.	10400011-31M	后轮泥板	FENDER OF REAR WHEEL	1		
4.	05200000-31D	后减震器	REAR ABSORBER ASSY	2		

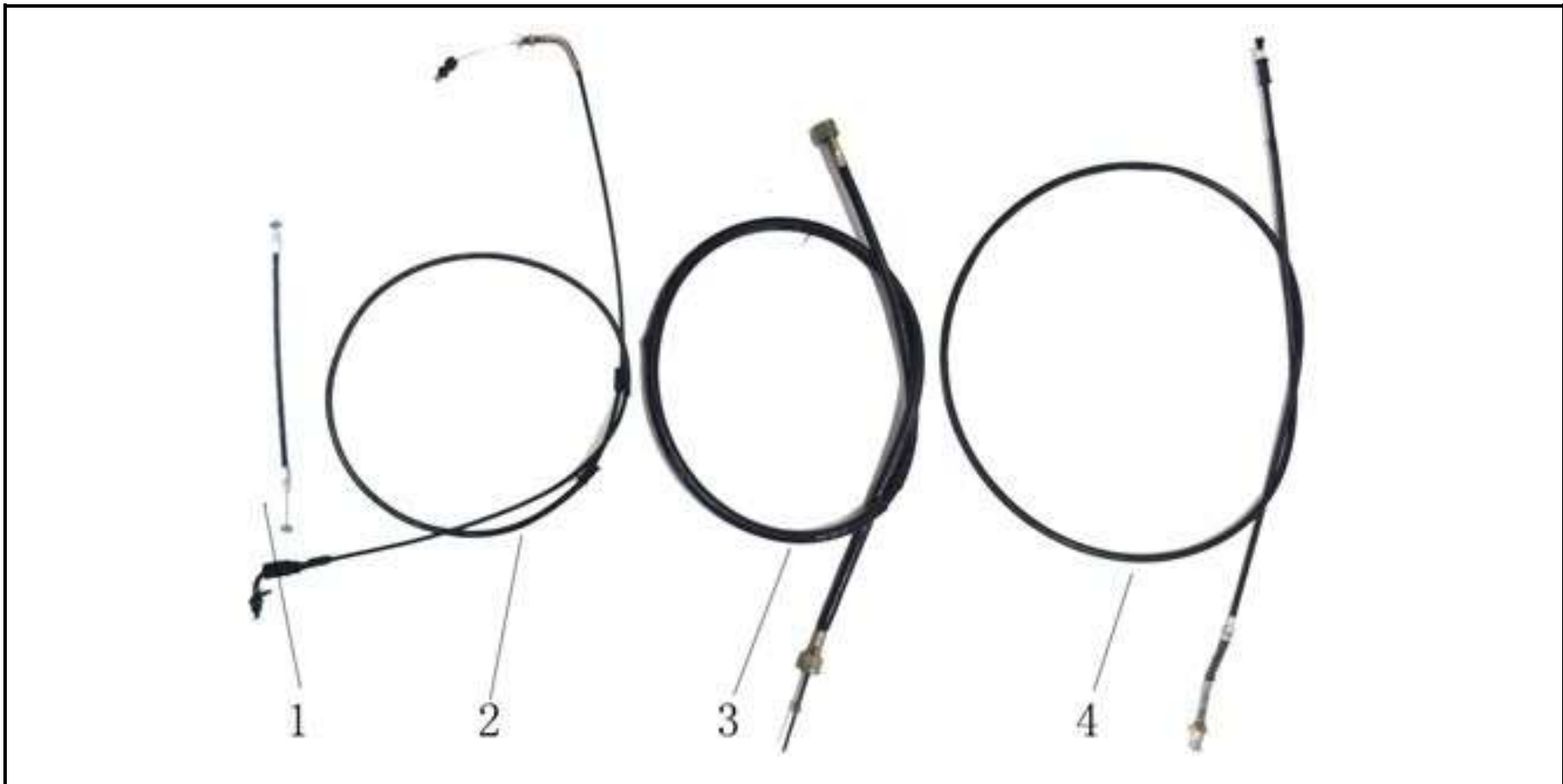
5.	GB/T6177.1	六角法兰面螺母 M16	HEXAGON NUT M16	1		
6.	07200100-310	刹车蹄块	BRAKE SHOE	2		
7.	07200002-310	蹄块回位拉簧	SPRING BRAKE SHOE	2		
8.	07200003-310	刹车摇臂回位拉簧	SPRING BRAKE ROCKET	1		

15 、 后 轮 总 成 —REAR WHEEL ASSY

NO : 20



NO.	Part NO.	Description	Description in English	数量 Qty	备注 Remark	Price(USD)
9.	07000001-310	刹车摇臂轴	AXLE BRAKE ROCKET	1		
10.	07200001-310	刹车摇臂	BRAKE ROCKET	1		
11	GB/T5781	六角头螺栓 M6×12	BOLT M6×12	3		
12	07000002-310	充气嘴	VALVE VALVE STEM	1		
13	07200004-310	右支架	RIGHT BRACKET	1		
14	07200005-310	左支架	LEFT BRACKET	1		
15	GB/T16674	六角法兰面螺栓 M10×40	HEXAGON BOLT M10×40	1		
16	GB/T16674	六角法兰面螺栓 M8×35	HEXAGON BOLT M8×35	1		
17	07000003-310	充气嘴帽	CAP VALVE STEM	1		
16、线束总成—CABLE						NO : 21



NO.	Part NO.	Description	Description in English	数量 Qty	备注 Remark	Pric (USD)
1 .	08206000-310	座垫锁拉线	CABLE OF SEAT LOCK	1		
2.	08201000-31D	油门线	THROTTLE CABLE	1		
3.	16400000-310	里程表线	SPEEDOMETER CABLE	1		
4.	08202000-31D	后刹车线	REAR BRAKE CABLE	1		

5.						
6.						

17、前轮总成—FRONT WHEEL ASSY

NO

22



NO.	Part NO.	Description	Description in English	数量 Qty	备注 Remark	价格 Price (USD)
1 .	7036-03	轮胎	TYRE	1		

2.	06100000-310	前轮辋组件	FRONT WHEEL			
3.	02300004-31M	碟刹管支夹 A	BRACKET OF DISK HOSE A	1		
4.	08501000-31M	液压盘式制动器	DISK CONTROL	1		
5.	08501001-310	液压制动盘	DISK CONTROL	1		
6.	GB/T16674	六角法兰面螺栓 M6×12	HEXAGON BOLT M6×12	1		
7.	02300005-31M	碟刹管支夹 B	BRACKET OF DISK HOSE B	1		
8.	02300002-31M	前挡泥板支架 A	BRACKET OF FRONT FENDER A	1		
9.	02300003-31M	前挡泥板支架 B	BRACKET OF FRONT FENDER B	1		

17、前轮总成—FRONT WHEEL ASSY

NO :

23



**ЗАКАЗ ЗАПЧАСТЕЙ
И МОТОТЕХНИКИ:**
ДЛЯ ОПТОВЫХ ПОКУПАТЕЛЕЙ
WWW.WM-OPT.RU
ДЛЯ РОЗНИЧНЫХ ПОКУПАТЕЛЕЙ
ИНТЕРНЕТ МАГАЗИН
WWW.W-MOTORS.RU
БОЛЕЕ 10 000 НАИМЕНОВАНИЙ В НАЛИЧИИ



NO.	Part NO.	Description	Description in English	数量 Qty	备注 Remark	Pric (USD)
10.	06000003-310	前轮右橡胶帽	RIGHT FRONT WHEEL RUBBER CAP	1		
11	06000004-310	前轮左橡胶帽	LEFT FRONT WHEEL RUBBER CAP	1		
12	06300000-310	计数器	COUNTER	1		
13 .	GB/T16674	前轮轴 M12×230mm	BUSHING OF FRONT WHEEL M12×230mm	1		

14.	GB/T6187.1	六角法兰面自锁螺母 M12	HEXAGON NUT M12	1		
15.	06000002-310	前轮轴套	BUSHING OF FRONT WHEEL	1		
16.	06000005-310	充气嘴帽	CAP VALVE STEM	1		
17.	06000006-310	充气嘴	VALVE VALVE STEM	1		
18.	GB/T16674	六角法兰面螺栓 M6×16	HEXAGON BOLT M6×16	4		

17、前轮总成—FRONT WHEEL ASSY

NO :

24



NO.	Part NO.	Description	Description in English	数量 Qty	备注 Remark	价格 Price (USD)
19.	GB/T16674	六角法兰面螺栓 M6×12	HEXAGON BOLT M6×12	2		
20.	08801002-310	液刹盘固定螺栓	BOLT OF DISK BRAKE	3		
21.	10100003-31M	前挡泥板	FRONT FENDER	1		
22.	06000007-310	左右发射器	LEFT/RIGHT REFLECT	2		
23	Q/FB010-2004	平垫 M5	WASHER M5	2		
24	GB/T6170	六角头螺母 M5	BOLT M5	2		
25	06000008-310	上泵压块	PLATE OF	1		
26	GB/T16674	六角法兰面螺栓 M6×20	HEXAGON BOLT M6×20	2		



**ЗАКАЗ ЗАПЧАСТЕЙ
И МОТОТЕХНИКИ:**

ДЛЯ ОПТОВЫХ ПОКУПАТЕЛЕЙ

WWW.WM-OPT.RU

ДЛЯ РОЗНИЧНЫХ ПОКУПАТЕЛЕЙ

ИНТЕРНЕТ МАГАЗИН

WWW.W-MOTORS.RU

БОЛЕЕ 10 000 НАИМЕНОВАНИЙ В НАЛИЧИИ